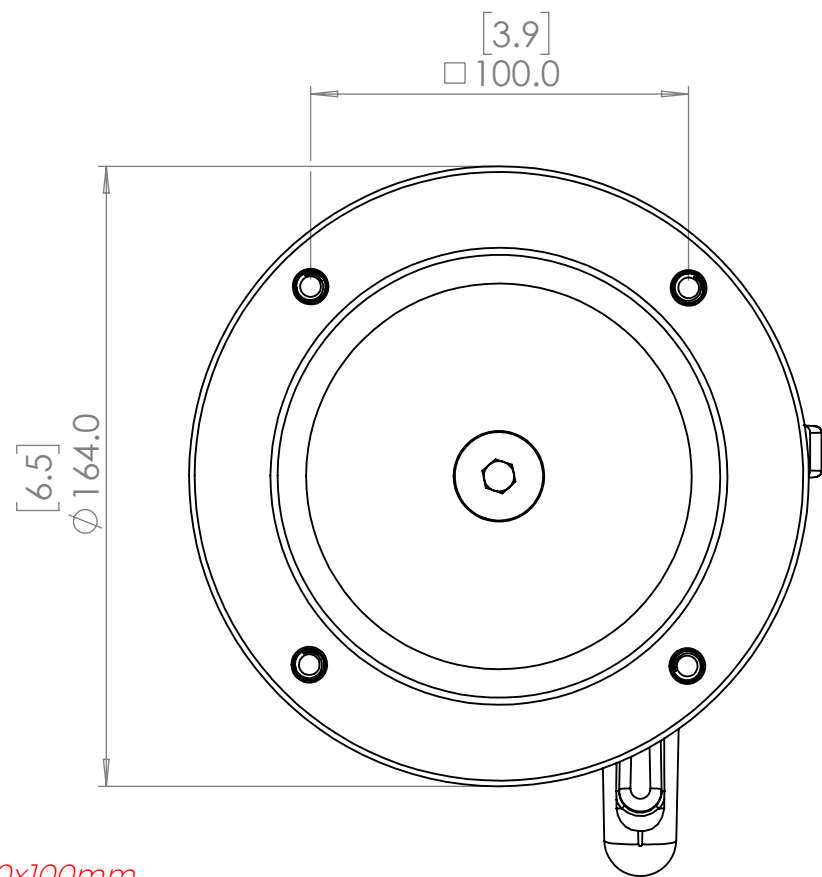
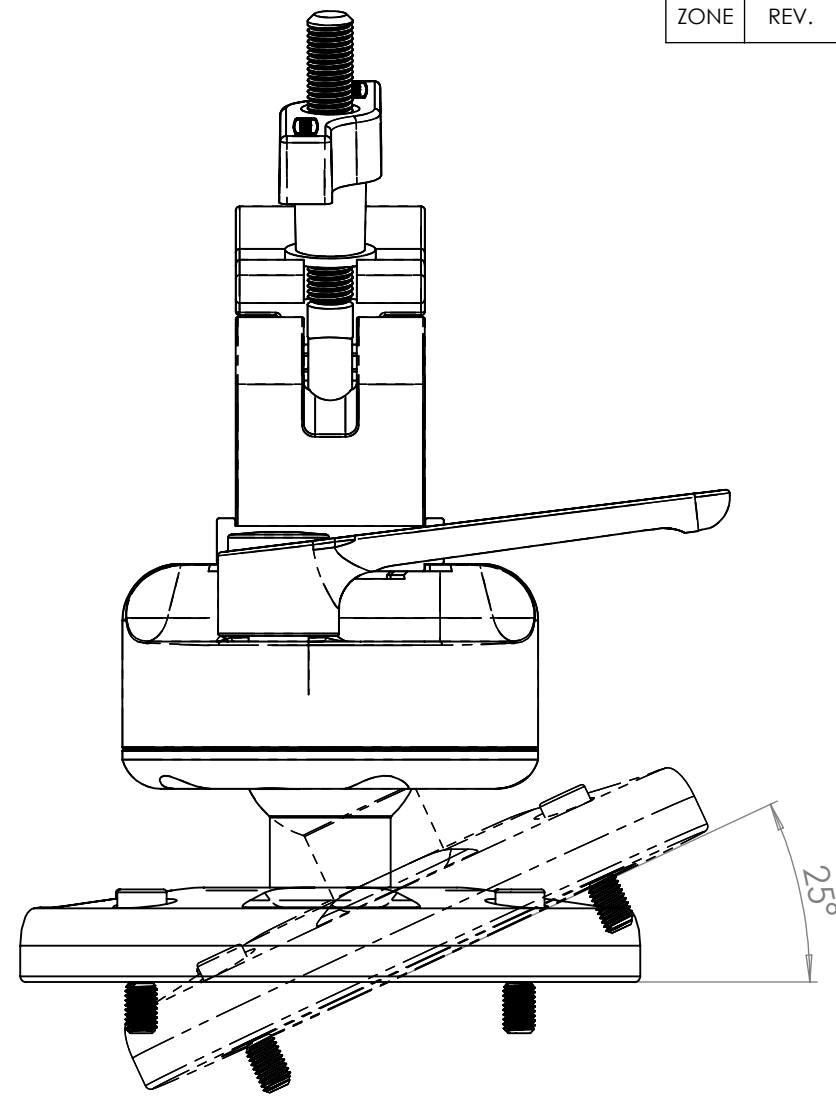
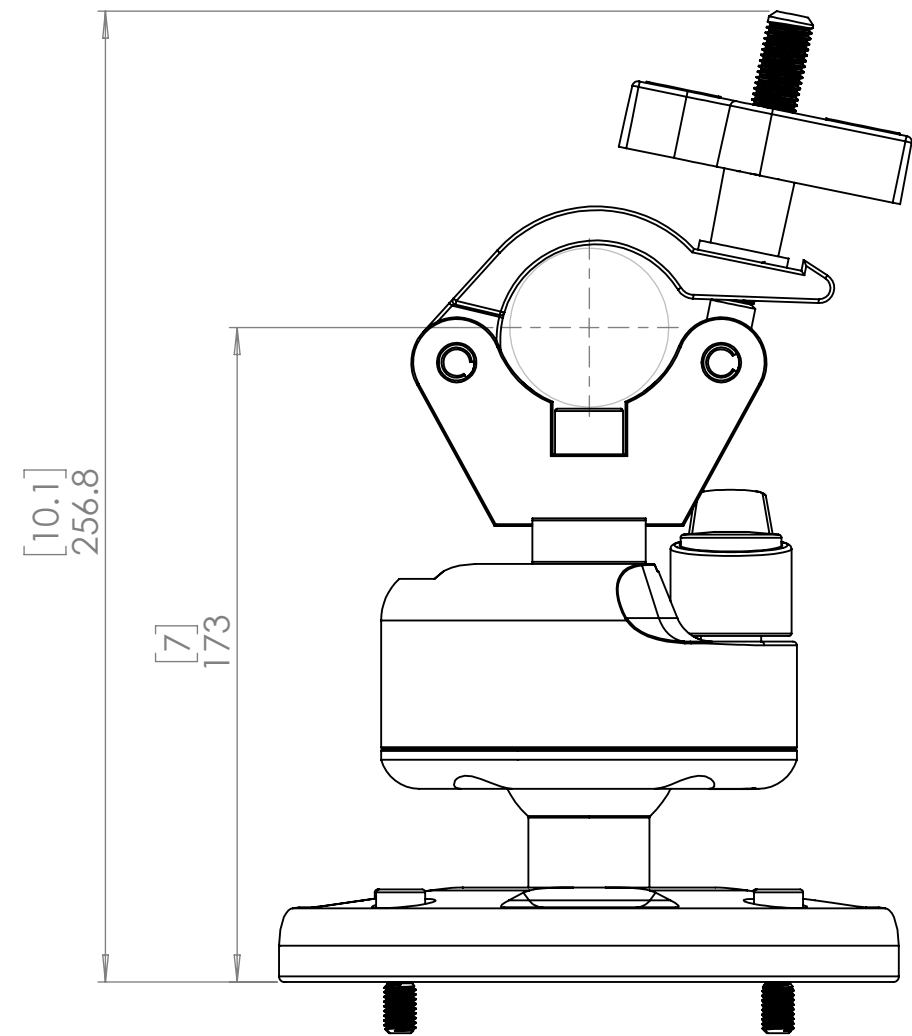



REVISIONS				
ZONE	REV.	DESCRIPTION	DATE	APPROVED



**NOTE**  
M8: VESA 100x100mm

APPROVED	DATE

 <small>THE DESIGN AND DRAWING SHOWN IS THE PROPERTY OF RIGTEC. THEY MUST NOT BE USED OR COPIED WITHOUT CONSENT.</small>	FINISH:	DRAWN BY:	DATE:
	MATERIAL:	V FERNANDES	11/01/2022
<small>REMOVE ALL BURRS. BREAK SHARP EDGES AND FLASH</small> <small>DO NOT SCALE DRAWING</small>	UNLESS OTHERWISE SPECIFIED DIMENSIONS ARE IN MILLIMETERS	TITLE: <b>ATOM GRIP HD</b>	
QUANTITY:	PART NO. <b>AG02-H</b>	STATUS: PRODUCTION	
	SCALE: 1:2	SHEET 1 OF 1	A3