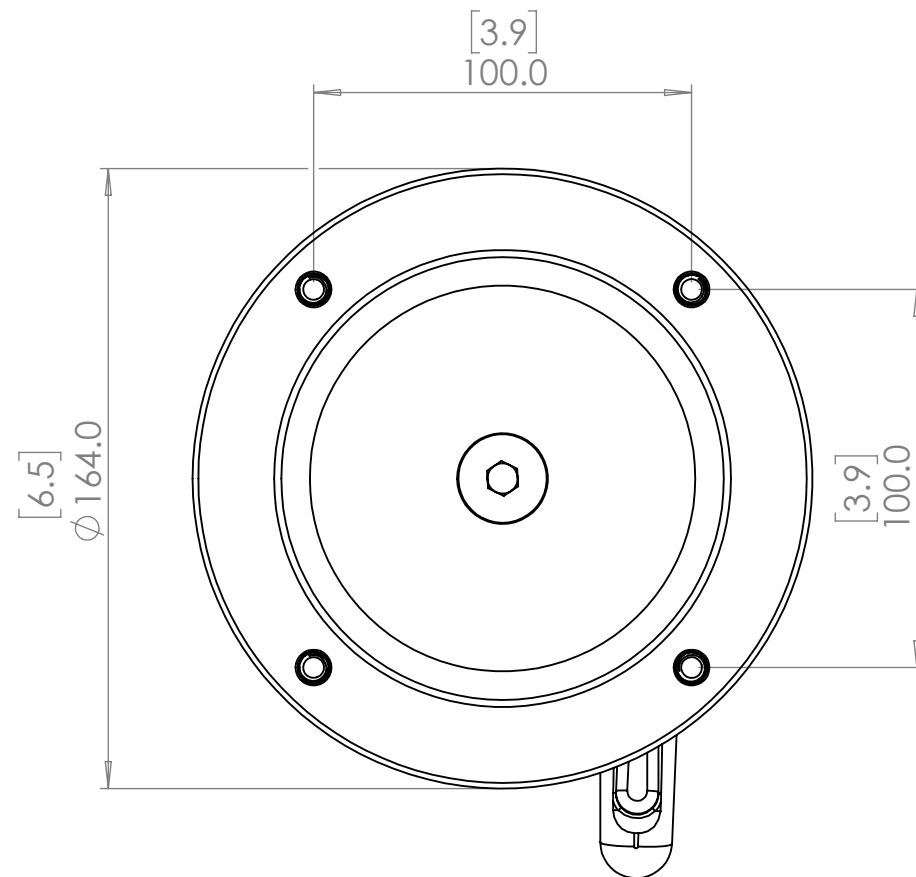
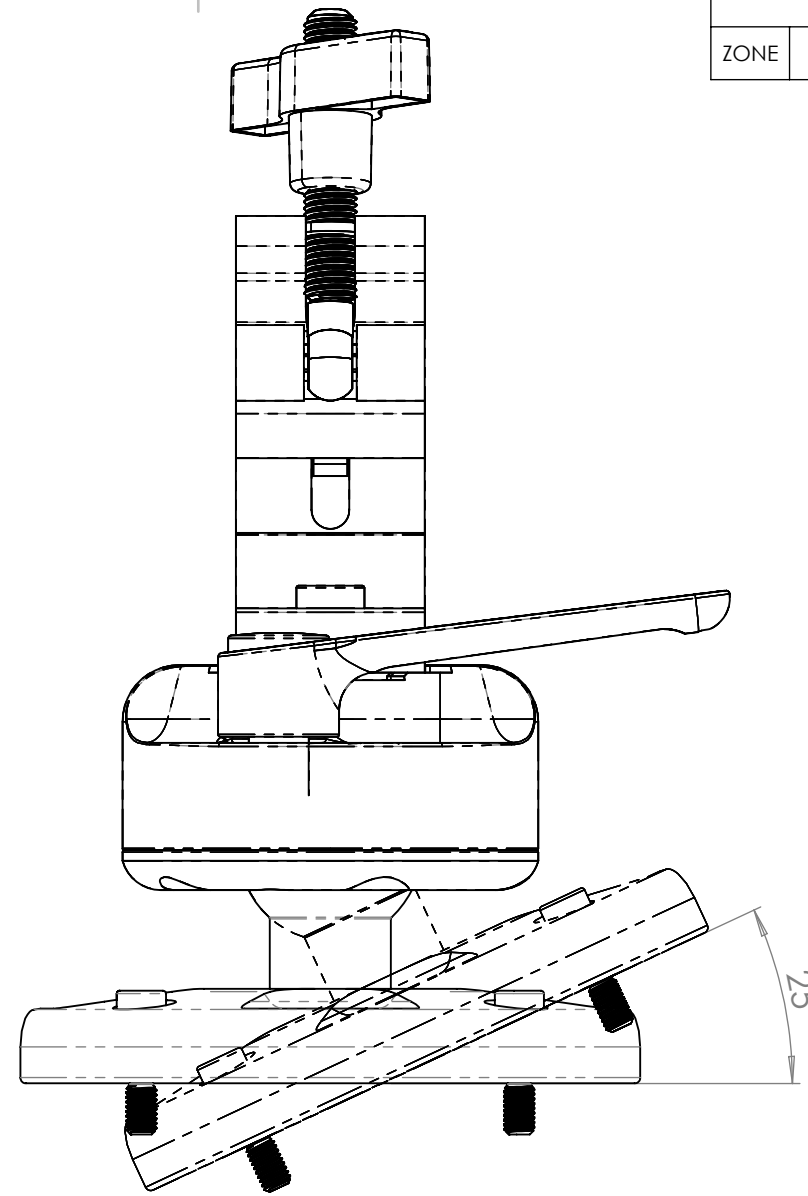
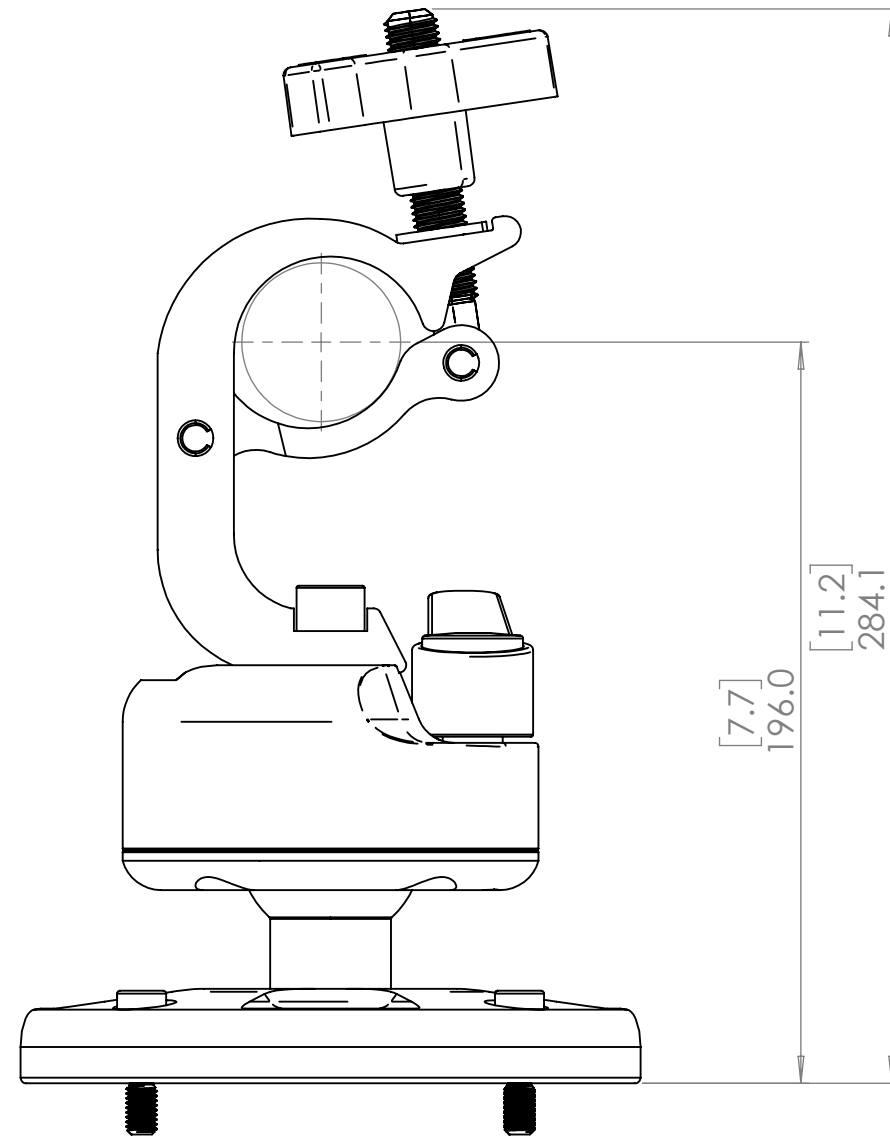


REVISIONS				
ZONE	REV.	DESCRIPTION	DATE	APPROVED



NOTE
M8: VESA 100x100mm

APPROVED	DATE

rigtec THE DESIGN AND DRAWING SHOWN IS THE PROPERTY OF RIGTEC. THEY MUST NOT BE USED OR COPIED WITHOUT CONSENT. REMOVE ALL BURRS, BREAK SHARP EDGES AND FLASH DO NOT SCALE DRAWING	FINISH:	DRAWN BY:	DATE:
	MATERIAL:	V FERNANDES	11/01/2022
UNLESS OTHERWISE SPECIFIED DIMENSIONS ARE IN MILLIMETERS	TITLE:		
QUANTITY:	PART NO.:		STATUS:
	AG02-A		PRODUCTION
	SCALE: 1:2	SHEET 1 OF 1	A3