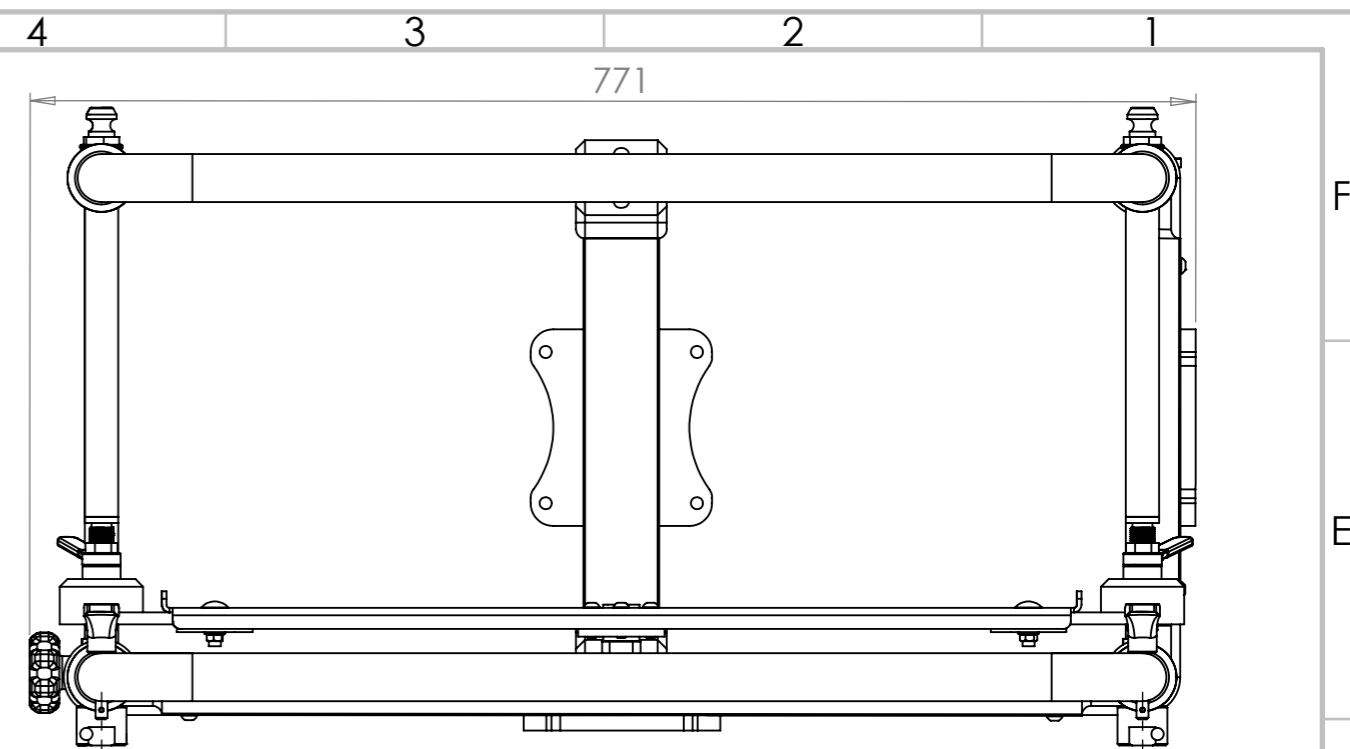
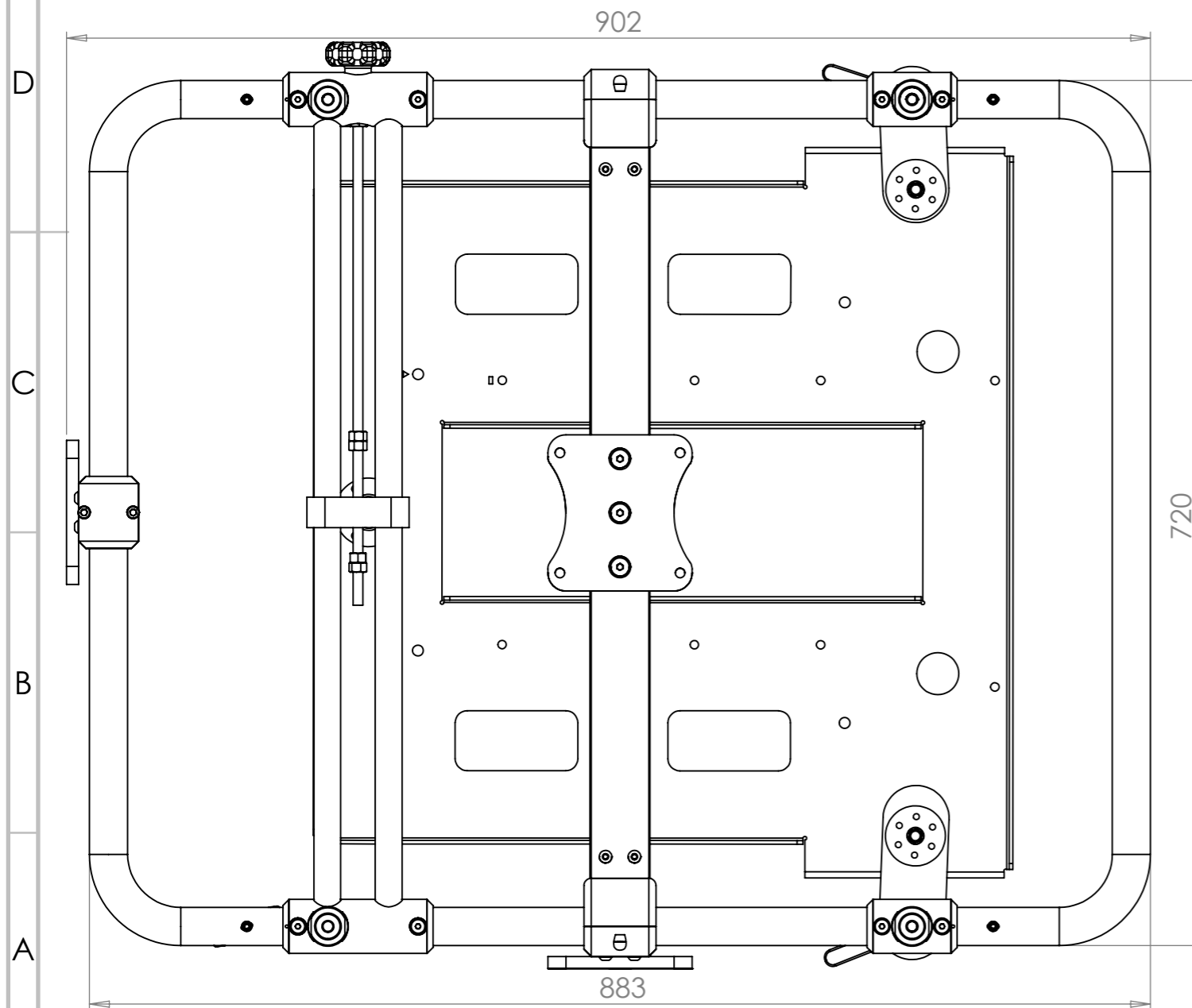


SIDE VIEW



FRONT VIEW



TOP VIEW



THE DESIGN AND DRAWING SHOWN IS THE PROPERTY OF CENTRAL PRESENTATIONS LTD. THEY MUST NOT BE USED OR COPIED WITHOUT CONSENT.

REMOVE ALL BURRS, BREAK SHARP EDGES AND FLASH

DO NOT SCALE DRAWING

FINISH:
DRAWN BY:
V FERNANDES

MATERIAL:
TITLE:
AIR FRAME X-20

UNLESS OTHERWISE SPECIFIED DIMENSIONS ARE IN MILLIMETERS

QUANTITY:

DATE:
12/09/2019

PART NO.
AF01-X20

REVISION:
R1

SCALE:1:5

SHEET 1 OF 1

A3