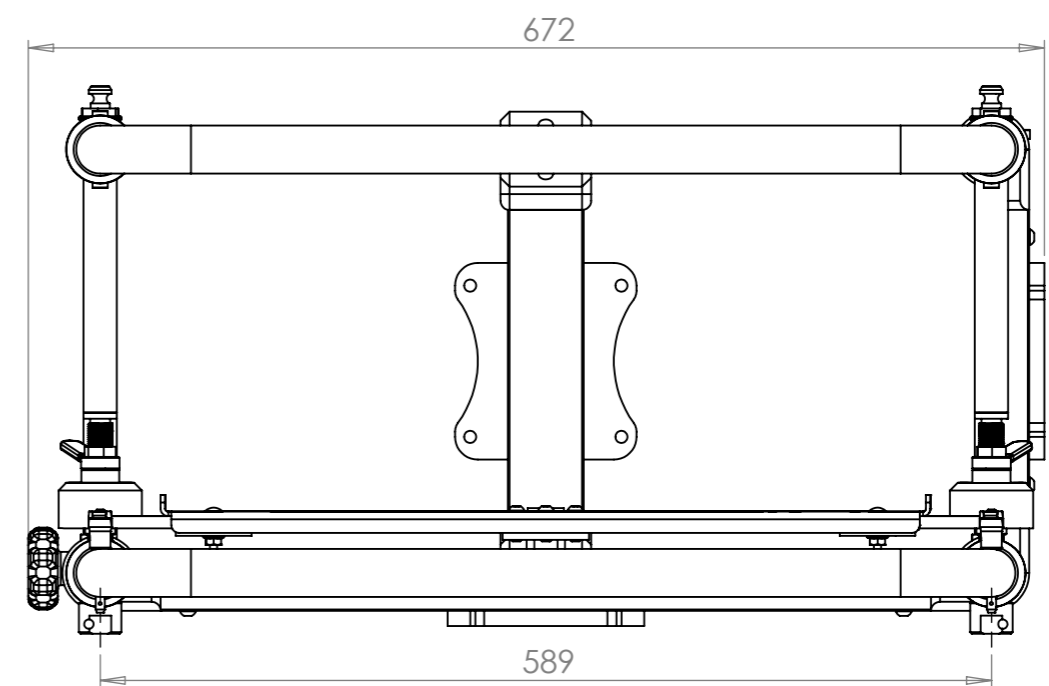
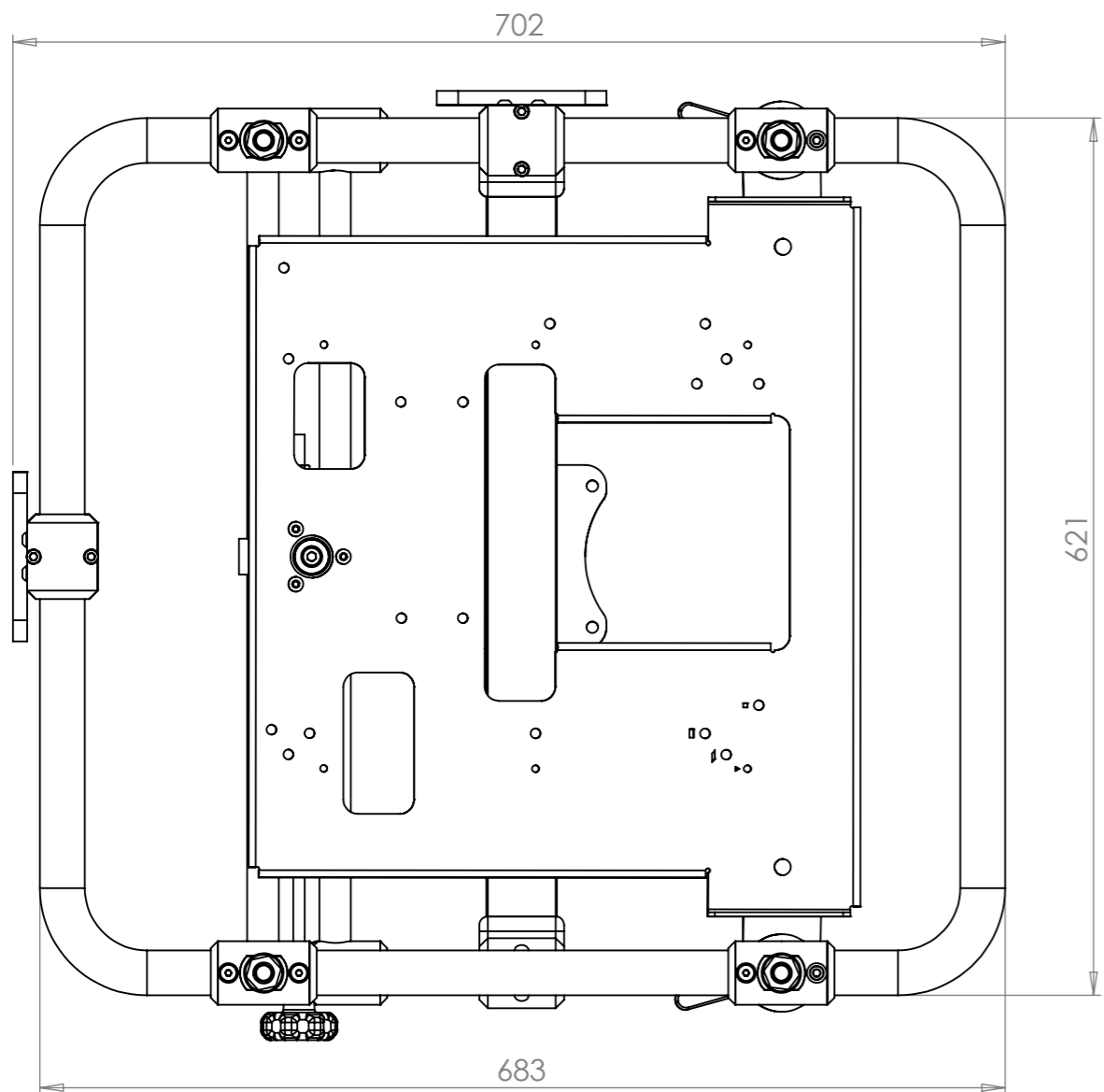


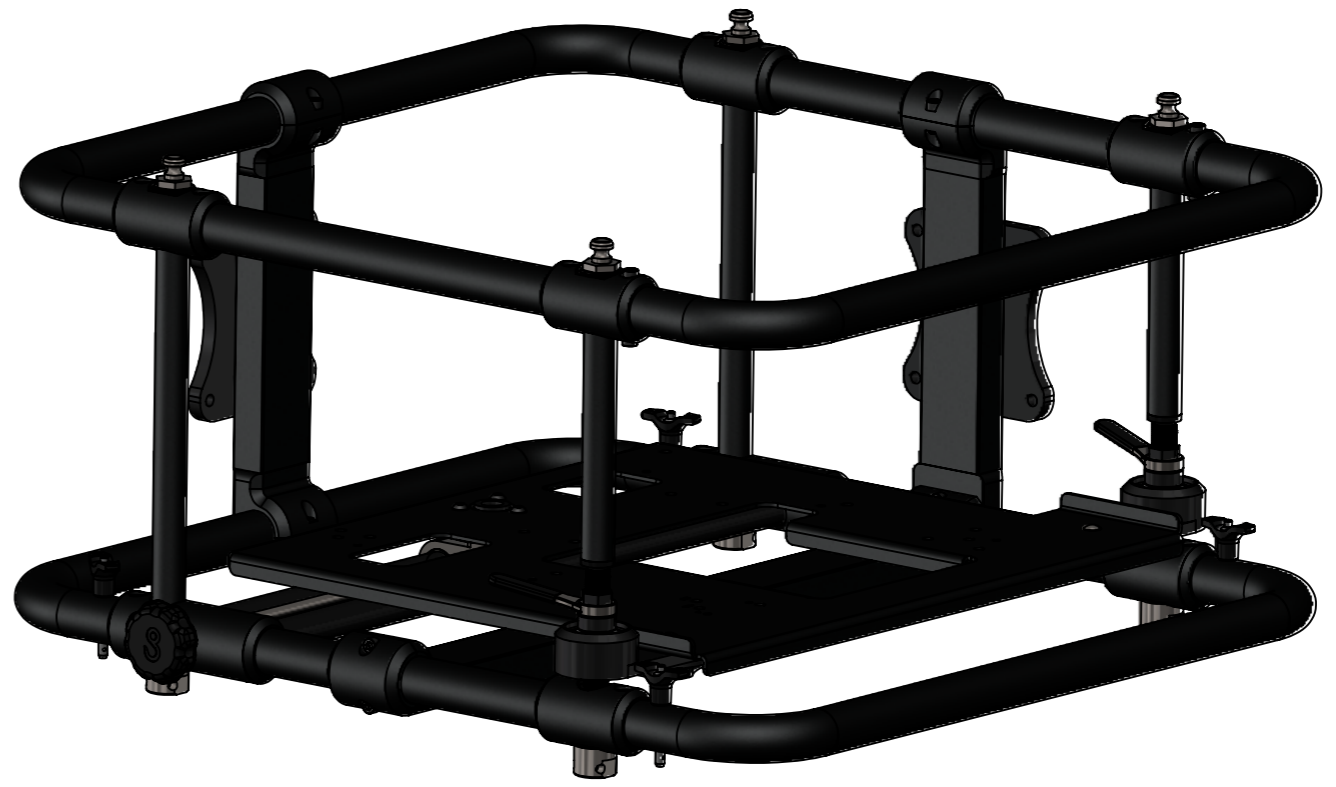
SIDE VIEW




FRONT VIEW



TOP VIEW



	FINISH:	DRAWN BY:	DATE:
		V FERNANDES	09/09/2019
<p>THE DESIGN AND DRAWING SHOWN IS THE PROPERTY OF CENTRAL PRESENTATIONS LTD. THEY MUST NOT BE USED OR COPIED WITHOUT CONSENT.</p> <p>REMOVE ALL BURRS, BREAK SHARP EDGES AND FLASH</p> <p>DO NOT SCALE DRAWING</p>	MATERIAL:	TITLE:	
		AIR FRAME X-10	
	UNLESS OTHERWISE SPECIFIED DIMENSIONS ARE IN MILLIMETERS	PART NO.	A3
	QUANTITY:	SCALE: 1:5	SHEET 1 OF 1