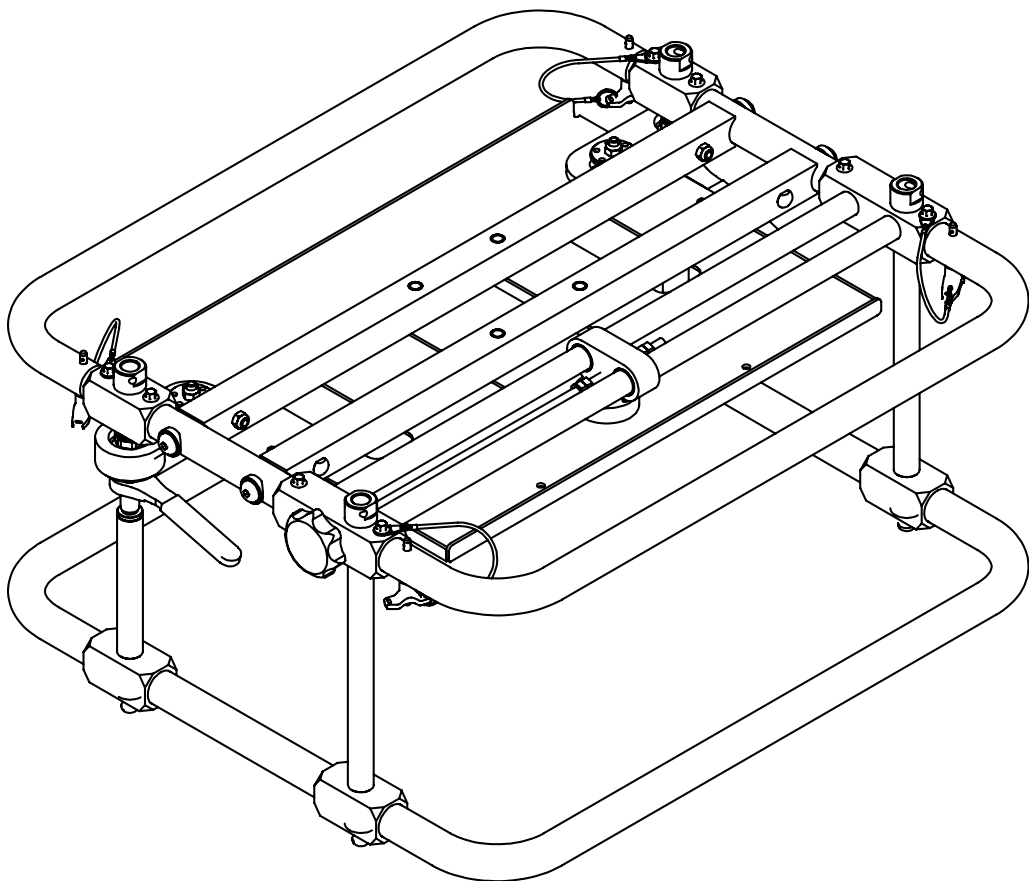


rigtec

User Guide

AMF100280

EPSON EB-L1000 SERIES RENTAL FRAME



CE

SAFETY INFORMATION

These instructions should be handed over to the person carrying out the installation.

1. Only a qualified technician should carry out installation work.
2. The device should only be used with approved accessories and spares.
3. Never exceed the Safe Working Load – when used with other accessories make sure that the Safe Working Load of any component is not exceeded.
4. Care should be taken when lifting and moving – the combined weight of the device and any accessory should be within safe manual handling limits.
5. Care should be taken when transporting that injury is not caused - make sure the device and any attached accessory is correctly secured.
6. All equipment should be visually inspected before use and in the event of any damage, it must be immediately taken out of service and assessed by a competent person.
7. Any suspended accessory must be independently secured with an approved safety wire/s.
8. When working at elevated heights or under a suspended load, make sure that all necessary precautions have been taken.
9. Thorough examination of lifting equipment must take place at least every 12 months by a qualified technician.

In addition to these scheduled examinations, equipment will require a thorough examination following:

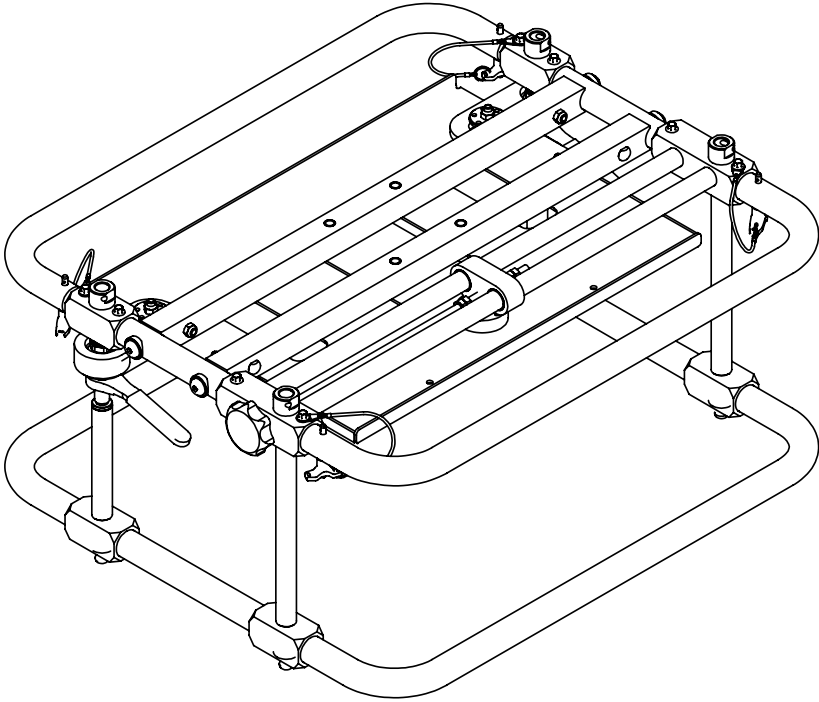
Any accident or dangerous occurrence.

Any significant change in conditions of use.

Any long periods of inaction.

Each time the equipment is used.

PRODUCT DESCRIPTION



Epson EB-L1000 Series Rental Frame

Type: Stackable projector mounting frame, which can be floor/table mounted or suspended using optional accessories

For use with:

ASA100020/30 Atom Grip

AMF100200 Portrait/Floor Adaptor

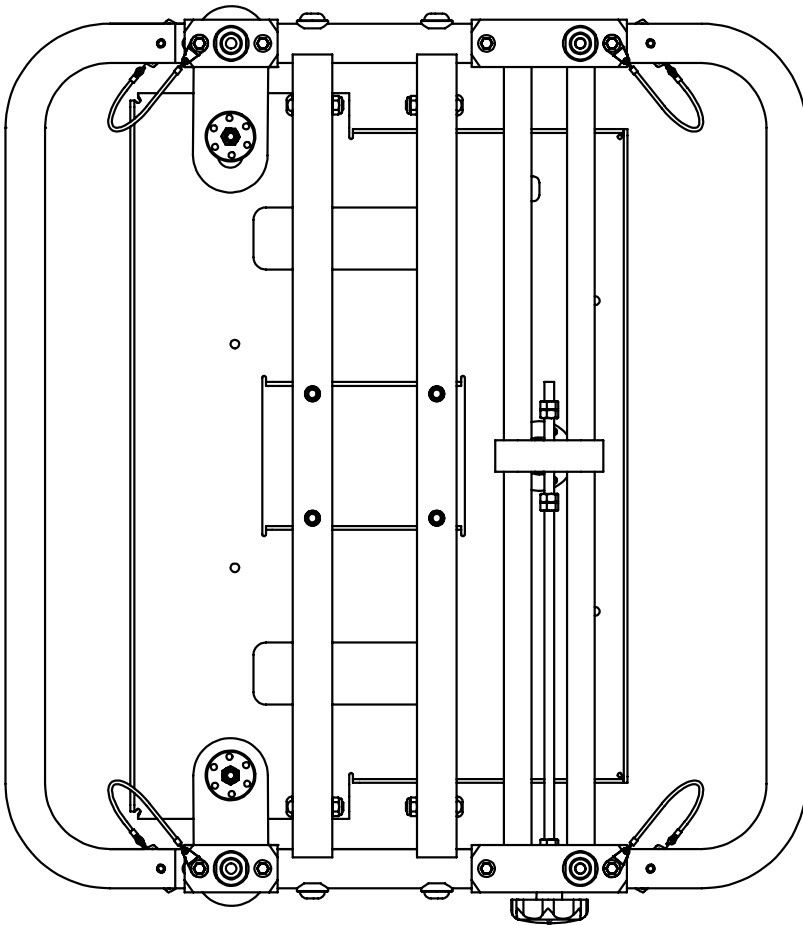
SAFE WORKING LOAD (SWL): 100kg

INSTALLATION AND USE

Locate the mounting frame onto the projector so that the screw holes align with the respective threaded holes and secure using the supplied screws and washers:

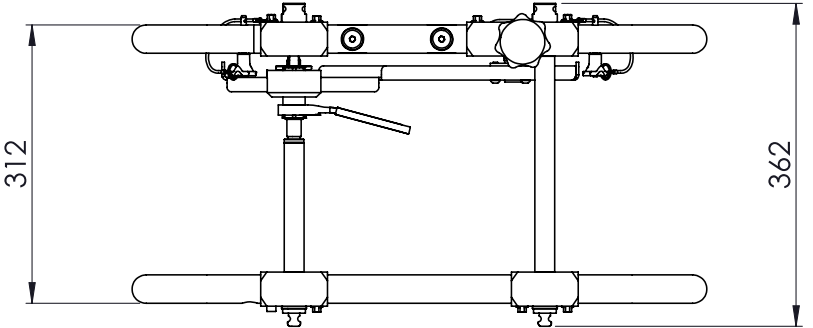
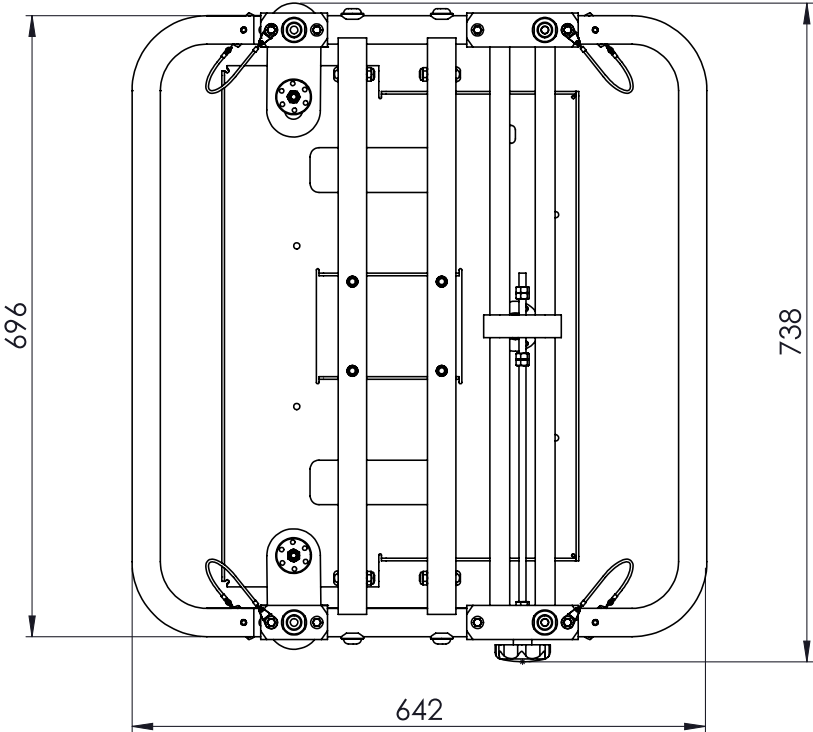
Only supplied screws to be used to connect Projector and Rental Frame

Torque screws to 4 ± 0.5 Nm.



SPECIFICATION

Part Number: AMF100280
Description: Epson EB-L1000 Series Rental Frame
Weight: 15.4 kg
Material: Aluminium
Maximum Projector Weight: 50kg
Maximum Hanging Load: 100kg



EC Declaration of Conformity

rigtec

Unit B1/B2, Holly Farm Business Park
Kenilworth
CV8 1NP
+44 (0) 1926 484609
www.cpl.tech

Description: Epson EB-L1000 Series Rental Frame

Part Number: AMF100280

Safe Working Load (SWL): 100 kg

Working Coefficient (Safety Factor): 5

Is in accordance with the following Directive:

Machinery Directive 2006/42/EC

Harmonised Standards:

EN ISO 12100:2010

Safety of machinery. General principles for design. Risk assessment and risk reduction

I hereby declare that the equipment named above has been designed to comply with the relevant sections of the above referenced specifications. The unit complies with all applicable essential requirements of the EC directives.

Signed:



Matthew Boyse - Authorised Representative

Central Presentations Ltd

Unit B1/B2 Holly Farm Business Park, Honiley, Kenilworth, Warwickshire, CV8 1NP
16/02/2015



Rigtec is a trading name of Central Presentations Ltd.

Central Presentations is a limited company registered in England and Wales.

Registration number: 3929644. Registered Office: Holly Farm Business Park,
Honiley, Kenilworth, Warwickshire, CV8 1NP

rigtec