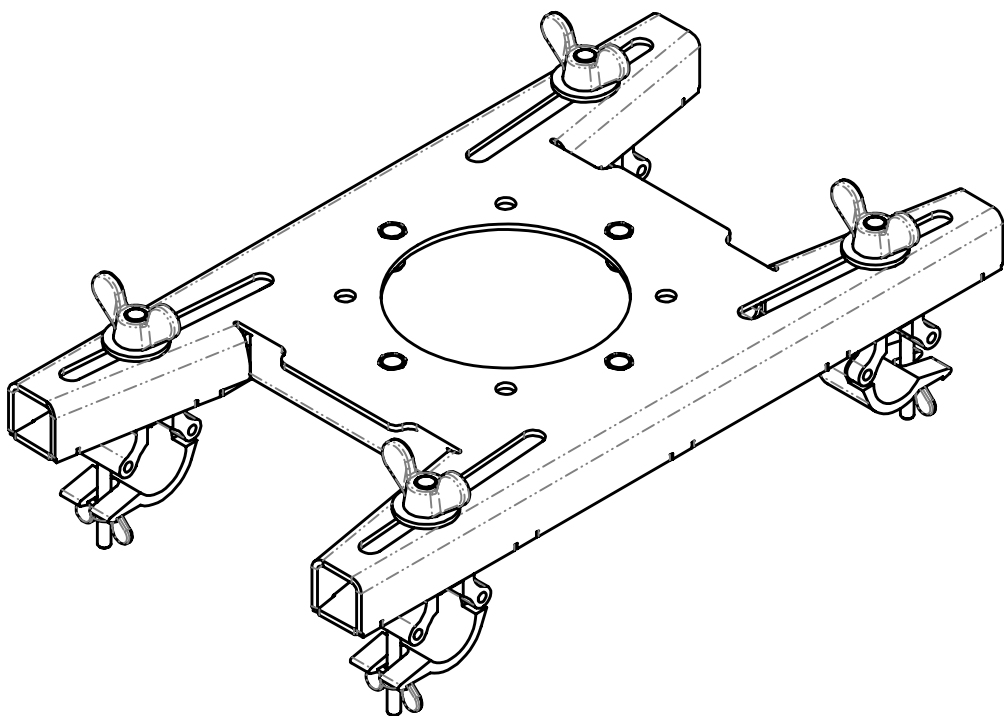


rigtec

User Guide

AMF100200

Floor / Portrait Adaptor



CE

SAFETY INFORMATION

These instructions should be handed over to the person carrying out the installation.

1. Only a qualified technician should carry out installation work.
2. The device should only be used with approved accessories and spares.
3. Never exceed the Safe Working Load – when used with other accessories make sure that the Safe Working Load of any component is not exceeded.
4. Care should be taken when lifting and moving – the combined weight of the device and any accessory should be within safe manual handling limits.
5. Care should be taken when transporting that injury is not caused - make sure the device and any attached accessory is correctly secured.
6. All equipment should be visually inspected before use and in the event of any damage; it must be immediately taken out of service and assessed by a competent person.
7. Any suspended accessory must be independently secured with an approved safety wire.
8. When working at elevated heights or under a suspended load, make sure that all necessary precautions have been taken.
9. Thorough examination of lifting equipment must take place at least every 12 months by a qualified technician.

In addition to these scheduled examinations, equipment will require a thorough examination following:

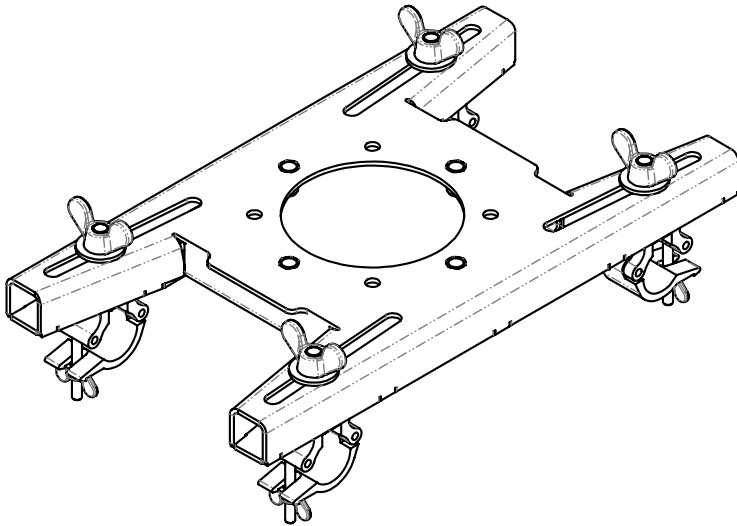
Any accident or dangerous occurrence.

Any significant change in conditions of use.

Any long periods of inaction.

Each time the equipment is used.

PRODUCT DESCRIPTION



Portrait / Floor Adapter

Type

The Portrait / Floor Adapter Plate allows Rental Frames to be flown in a portrait or floor projection orientation, when used with a Truss Mount.

For use with:

AMF100070	Medium Rental Frame
AMF100100	Large Rental Frame
AMF1000130/160	Small Rental Frame
AMF100060/80	Christie H Series Rental Frame
ASA100020	Atom Grip

SAFE WORKING LOAD (SWL): 75kg

INSTALLATION AND USE

Attaching Floor / Portrait Adapter to Frame:

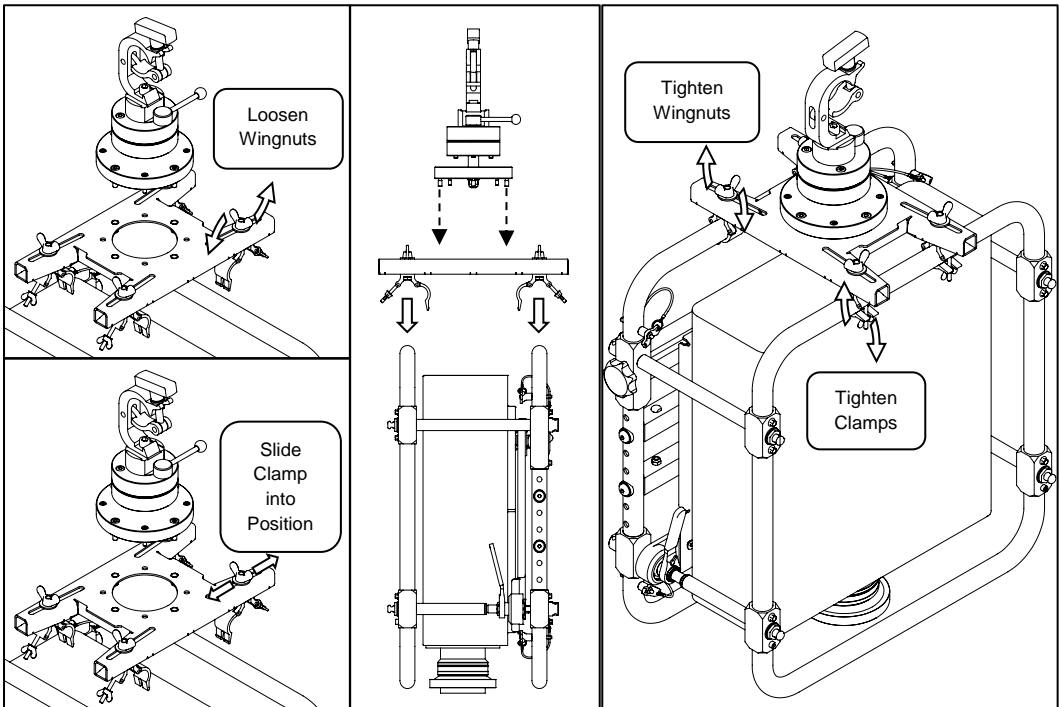
The Floor / Portrait Adapter is compatible with all CPL Rental Frames, the position of each clamp can be adjusted to allow attachment with varying sized frames. To attach the adapter, please follow these instructions:

- Slightly loosen wingnuts for each clamp to allow them to move.
- Loosen the clamp nuts, to open each clamp.
- One at a time, place each clamp over either the side bar (portrait orientation) or end bar (floor projection orientation). Close clamp and tighten clamp nut by hand.
- Once all clamps are in the correct positions and secured, tighten each wing nut by hand to secure the position of the plate.

Attaching Atom Grip to Floor / Portrait Adapter:

To attach the Atom Grip to the Floor / Portrait Adapter, locate the Atom Grip on to the Adapter Plate so that the captive screws align with the respective threaded holes and secure using the applicable 4 off M8 captive fixing screws:

Torque to 6 ± 0.5 Nm (M8).



SPECIFICATION

Part Number: AMF100200

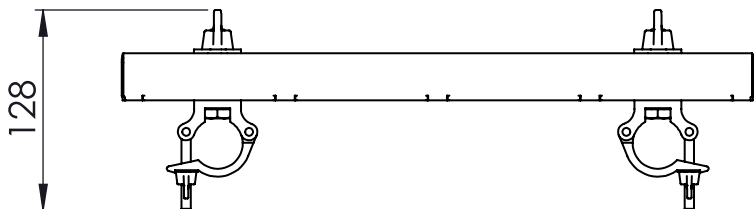
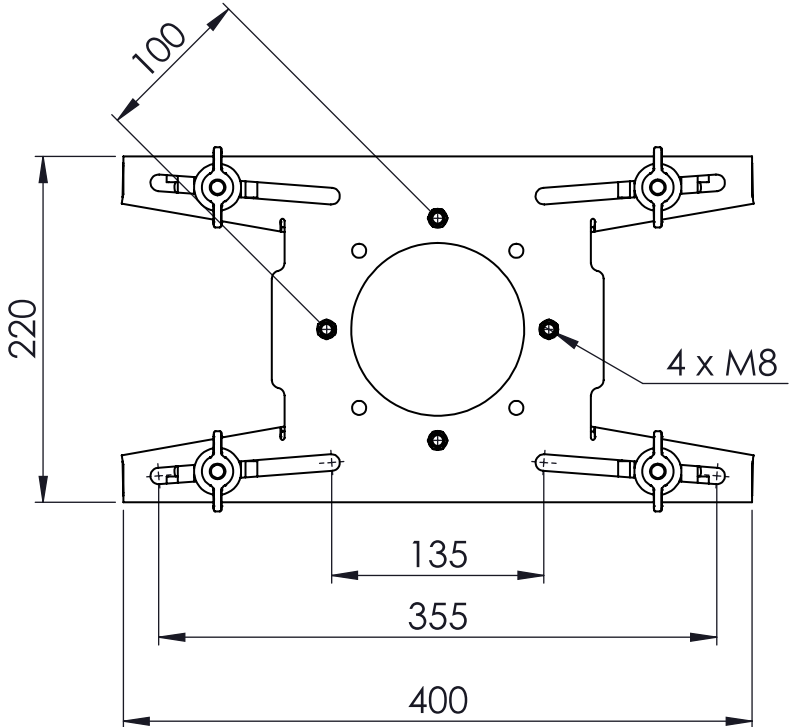
Description: Floor / Portrait Adapter

Weight: 3.5kg

Material: Aluminium

Fixings: 4 off M6 or M8 at 100mm spacing

Safe Working Load (SWL): 75kg



EC Declaration of Conformity

rigtec

Unit B1/B2, Holly Farm Business Park
Kenilworth
Warwickshire
CV8 1NP
+44 845 689 2000
www.cplav.com

Description: Floor / Portrait Adapter
Part Number: AMF100200
Safe Working Load (SWL): 75kg
Working Coefficient (Safety Factor): 5

Is in accordance with the following Directive:

Machinery Directive 2006/42/EC

Harmonised Standards:

EN ISO 12100:2010

Safety of machinery. General principles for design. Risk assessment and risk reduction

I hereby declare that the equipment named above has been designed to comply with the relevant sections of the above referenced specifications. The unit complies with all applicable essential requirements of the EC directives.

Signed:



Matthew Boyse - Authorised Representative
Central Presentations Ltd
Unit B1/B2 Holly Farm Business Park, Honiley, Kenilworth, Warwickshire, CV8 1NP
16/02/15



Rigtec is a trading name of Central Presentations Ltd.

Central Presentations is a limited company registered in England and Wales.
Registration number: 3929644. Registered Office: Holly Farm Business Park,
Honiley, Kenilworth, Warwickshire, CV8 1NP

rigtec