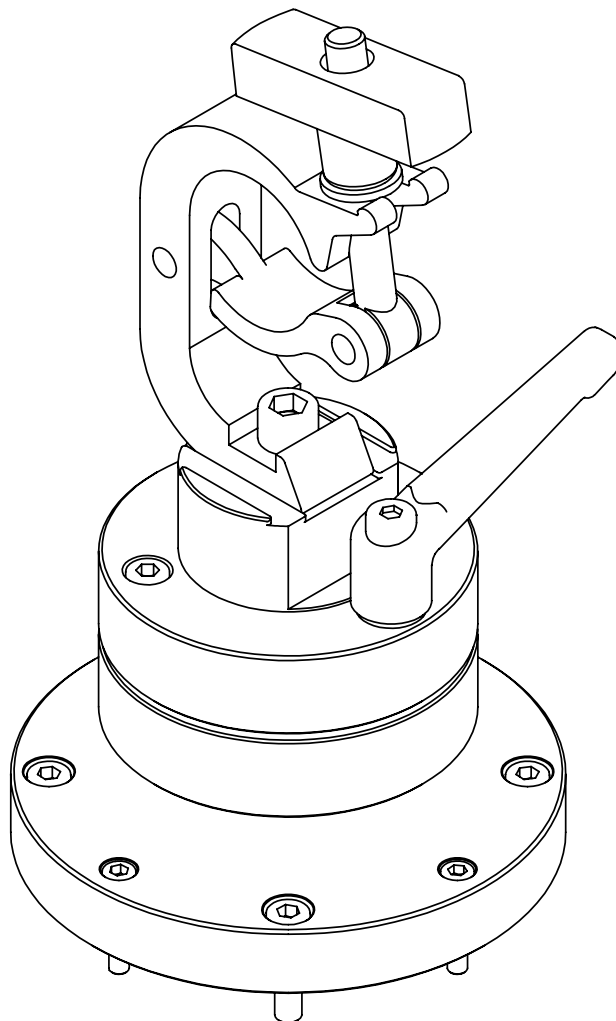


rigtec

User Guide

ASA100020/30

ATOM GRIP



CE

SAFETY INFORMATION

These instructions should be handed over to the person carrying out the installation.

1. Only a qualified technician should carry out installation work.
2. The device should only be used with approved accessories and spares.
3. Never exceed the Safe Working Load – when used with other accessories make sure that the Safe Working Load of any component is not exceeded.
4. Care should be taken when lifting and moving – the combined weight of the device and any accessory should be within safe manual handling limits.
5. Care should be taken when transporting that injury is not caused - make sure the device and any attached accessory is correctly secured.
6. All equipment should be visually inspected before use and in the event of any damage; it must be immediately taken out of service and assessed by a competent person.
7. Any suspended accessory must be independently secured with an approved safety wire.
8. When working at elevated heights or under a suspended load, make sure that all necessary precautions have been taken.
9. Thorough examination of lifting equipment must take place at least every 12 months by a qualified technician.

In addition to these scheduled examinations, equipment will require a thorough examination following:

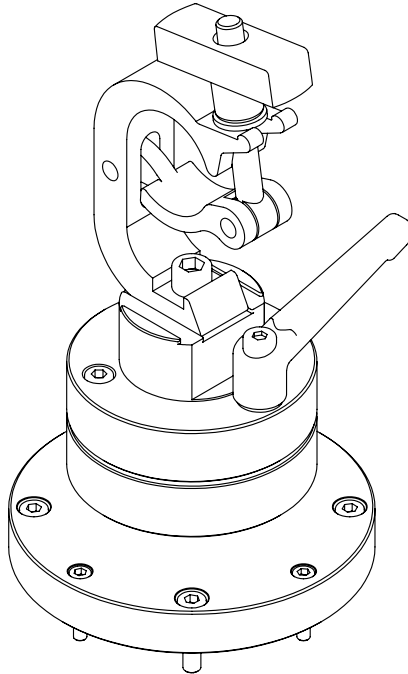
Any accident or dangerous occurrence.

Any significant change in conditions of use.

Any long periods of inaction.

Each time the equipment is used.

PRODUCT DESCRIPTION



Atom Grip

Type

Single point truss mount for mounting Rental Frames, Plate Adaptors & Portrait Adaptors.

Single Point with 25° of Tilt and 360° of rotation for fixing to Ø48-51mm trusses.

4 off M6 or M8 captive fixings at 100mm spacing for attaching to accessory.

For use with:

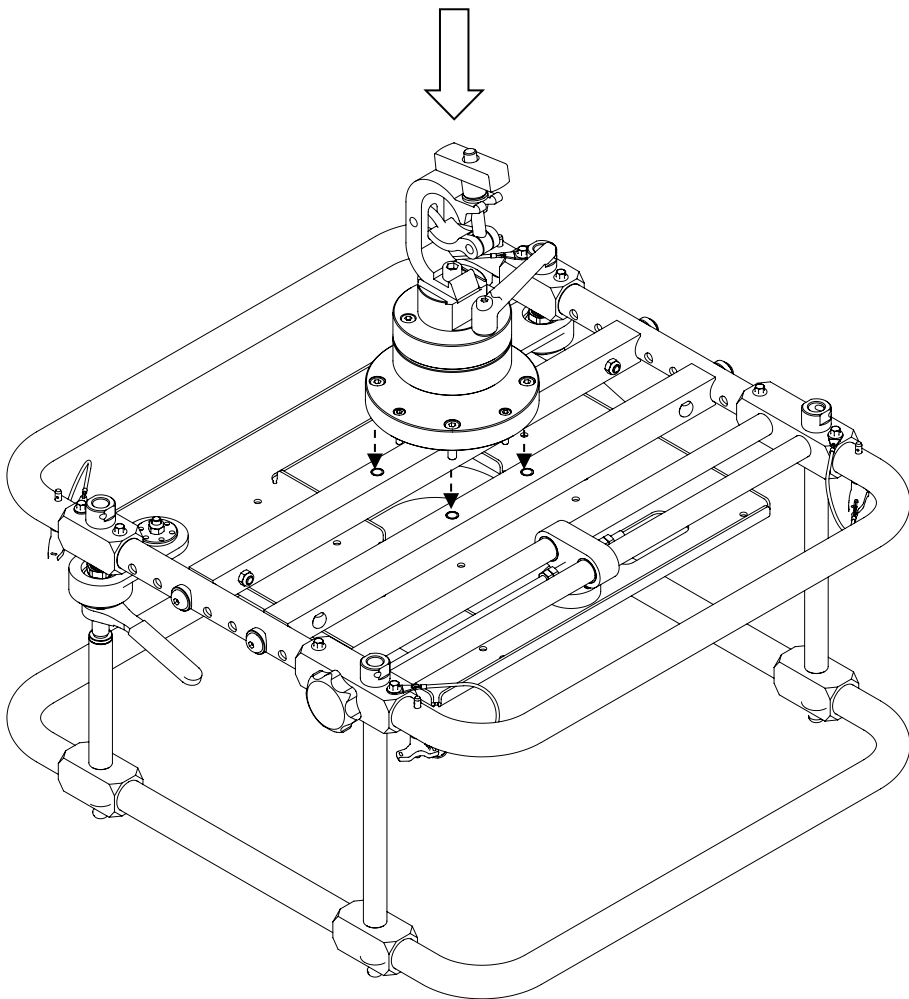
AMF100070	Medium Rental Frame
AMF100100	Large Rental Frame
AMF100060/80	Barco F50 Rental Frame
AMF100060/80	Christie H Series Rental Frame
AMF100200	Portrait/Floor Adaptor

SAFE WORKING LOAD (SWL): 195kg

INSTALLATION AND USE

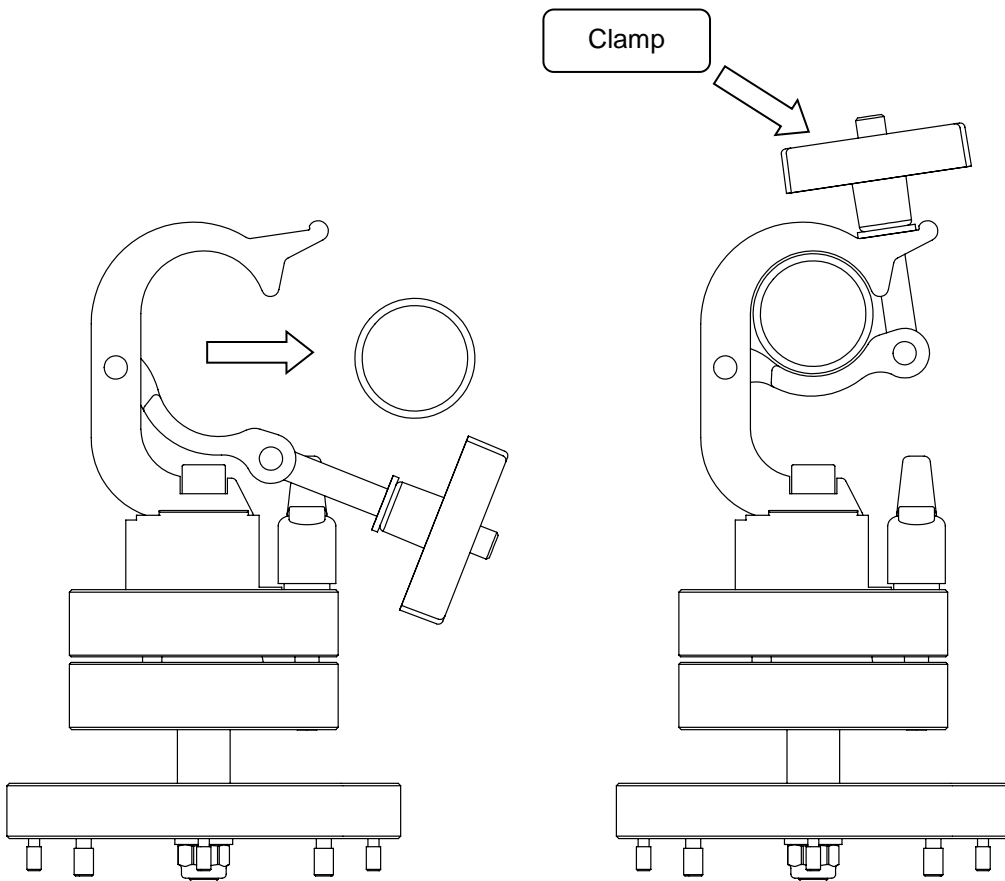
Locate the single point, tilt & swivel onto the accessory so that the captive screws align with the respective threaded holes and secure using the applicable 4 off M6 or 4 off M8 captive fixing screws:

Torque to 4 ± 0.5 Nm (M6) or 6 ± 0.5 Nm (M8).



Loosen the clamp nut on the Atom Grip and lift onto the mounting truss (2 people may be required), once correctly located, tighten the clamp nut using hand pressure only.

Only use the clamp on the correct size tube (48-51mm) in a horizontal orientation and make sure that the tube has end stops or is fully enclosed. A separate safety wire must then be attached to the accessory and looped through the truss.



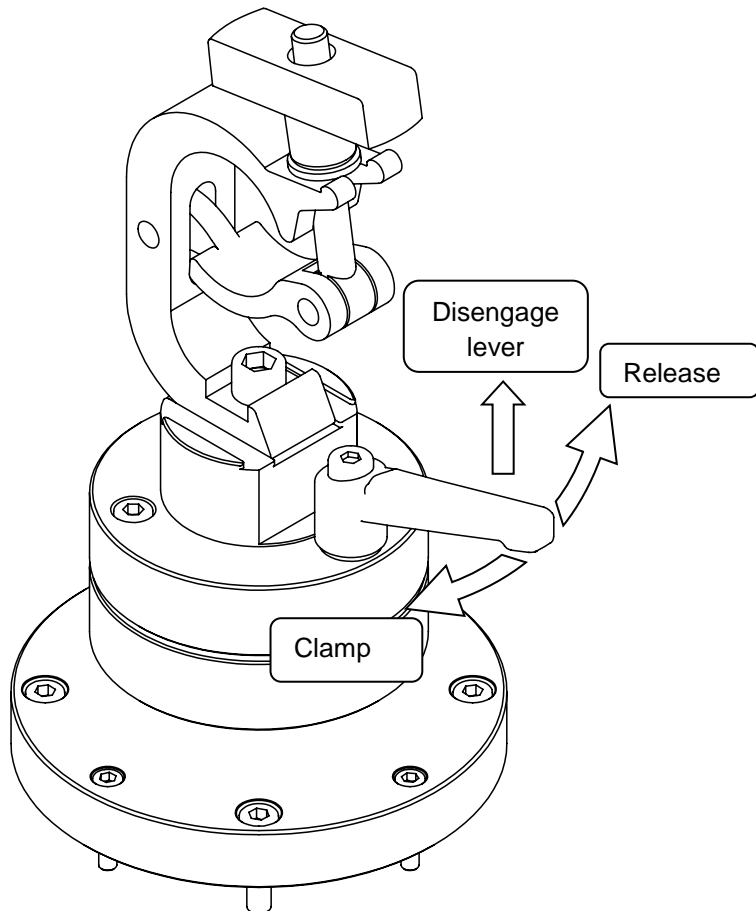
The device is operated by the locking lever, clamping is achieved by moving the lever to the left and releasing by moving to the right. If more or less clamping is required, lifting the lever will disengage it allowing it to be swivelled to the ideal clamping position. On releasing the lever it will automatically re-engage.

When the lever is in the released position, the accessory can be tilted and swivel to the correct position before clamping.

The accessory must not be moved whilst the lever is in the clamped position – failure to do so could damage the device.

Please note that when the lever is released, the attached accessory may unexpectedly swing from its clamped position depending on the speed the lever is moved, the weight and centre of gravity of the accessory – precautions should be taken to avoid any impacts.

Under no circumstances should the lever be removed while a load is being supported.



SPECIFICATION

Part Number: ASA100020

Description: Atom Grip

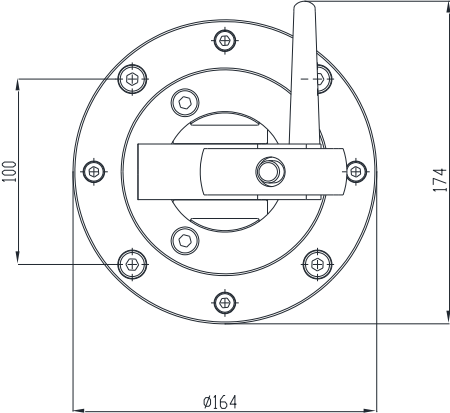
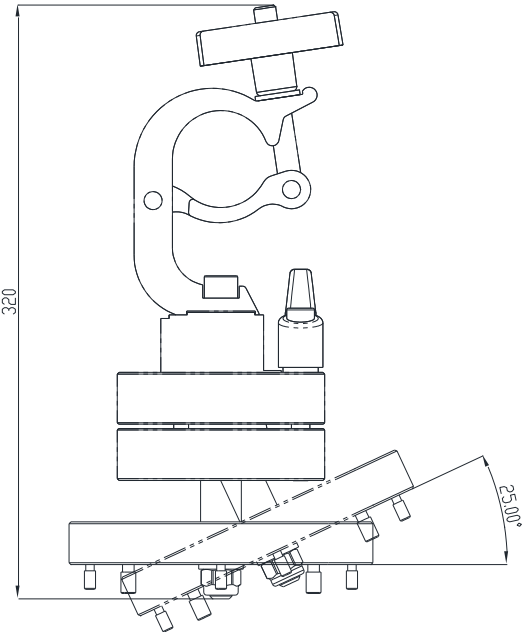
Weight: 4.3 kg

Material: Aluminium

Fixings: 4 off M6 or M8 at 100mm spacing

Truss Mount: 48-51mm

Safe Working Load (SWL): 195kg



EC Declaration of Conformity

rigtec

Unit B1/B2, Holly Farm Business Park

Kenilworth

Warwickshire

CV8 1NP

+44 845 689 2000

www.cplav.com

Description: Atom Grip

Part Number: ASA100020

Safe Working Load (SWL): 195 kg

Working Coefficient (Safety Factor): 5

Is in accordance with the following Directive:

Machinery Directive 2006/42/EC

Harmonised Standards:

EN ISO 12100:2010

Safety of machinery. General principles for design. Risk assessment and risk reduction

I hereby declare that the equipment named above has been designed to comply with the relevant sections of the above referenced specifications. The unit complies with all applicable essential requirements of the EC directives.

Signed:



Matthew Boyse - Authorised Representative

Central Presentations Ltd

Unit B1/B2 Holly Farm Business Park, Honiley, Kenilworth, Warwickshire, CV8 1NP

16/02/15



Rigtec is a trading name of Central Presentations Ltd.

Central Presentations is a limited company registered in England and Wales.

Registration number: 3929644. Registered Office: Holly Farm Business Park,

Honiley, Kenilworth, Warwickshire, CV8 1NP

rigtec